

IVS 2.0

Surface luminaire



General Features

Surface luminaire with solar energy, requires no electrical installation or maintenance.

IVSOLAR
Powered by **JUV**Group

Main features

- Light signalling system with solar power
- Electronic management system
- Free maintenance for 5 years
- Led technology, light intensity up to 10.000 milicandels (10 Cd)

General characteristics

Covering dome	Polycarbonate
Protective material and/or icon base	LURAN technical plastic
Energy	Photovoltaic
Source of energy	Optical power LEDs
Visibility	Omnidirectional, Bidirectional, Unidirectional.
Autonomy	30 days with fog and/or clouds, but situated to receive radiation on a sunny day (diffuse light)(1)
Operative life	5 years with unfavourable weather conditions (2)
Storage	Magnetic water proof switch
Resistance	To blows; U.V. rays; saline conditions; corrosion; High and low temperatures
Autonomy without solar charge	15 days continuous operation (1)
Anchor system	Sturdy; efficient and secure, with antitheft devise
Reflector	Added to the casing, level 3

(1) With the battery at 100% load at the beginning of the cycle

(2) Levels of internal temperature over 80% and at low temperature below -5%, affect the operational life of the battery, which is 5 years maximum.

Optical features

Yellow, red, green, blue or white LED diodes

Omni directional optic 360°

Bidirectional optic 180°

Unidirectional optic 90°

Diminution of light emitted to less than 30% after 100.000 operational hours

Advantages

Safety, reliability and high luminous performance

Solar energy without maintenance

Environment friendly

Without electricity consumption and without battery replacement

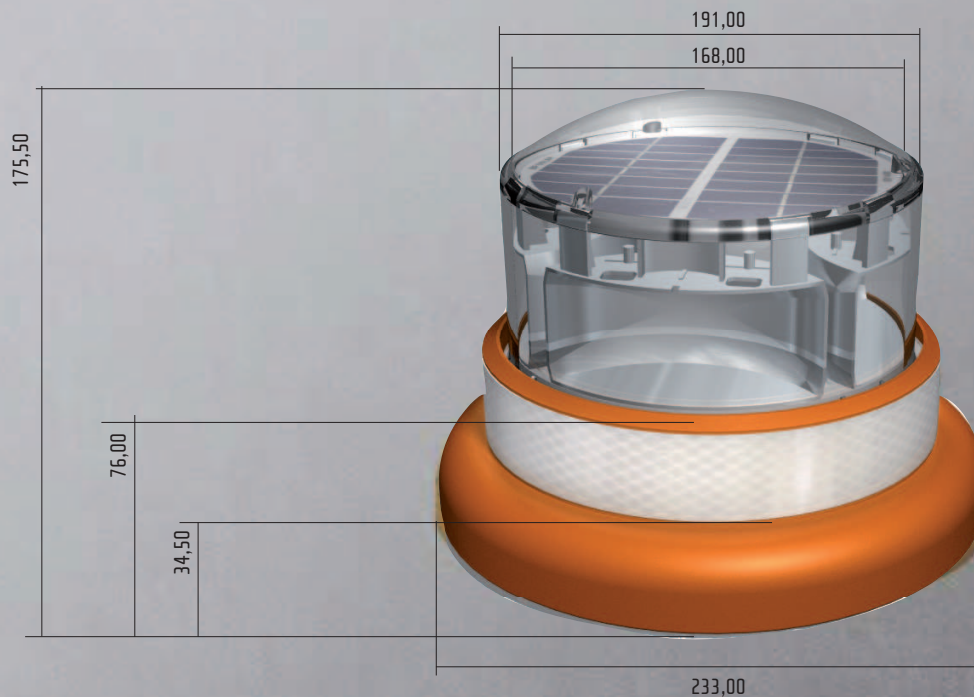
Amortization into the first year

Beacon synchronization without cables, without maintenance.

U.E. and U.S.A patents granted among others.

Specifications carried out

1. Electromagnetic compatibility test under UNE EN61000-4-3 (98) radiation immunity regulations
2. Measurement tests of the degree of protection for the first and second feature figure under UNE 20-324-93 (EN60520:1991+ Erratum:1993) Code IP IP6x Ip-66 regulations
3. Luminous photometric distribution measurements tests, polar curves. Luminous range. Exp.21006536
4. Cyclical humid heat test, under UNE-EN-60068-2-30:00 regulations
5. Cyclical humid heat/cold test -10°C + 80°C, under UNE-EN 60068-2 14:00 regulations
6. Fast corrosion of neutral saline fog test over a 168 period, under N55 ISO 9227:1990 regulations.
7. Dry heat test. Climatic chamber up to 80°C, under UNE-EN60068-2-2:97 regulations
8. Measurement test of the protective casing, under UNE-EN 50102:96 A1:99 Degree IK08
9. Measurement test of the protective casing at an ambient temperature of -50°C, under UNE-EN 50102:96+A1:99.IK transparent casing. IK08 opaque casing.
10. 16 hours climatic chamber test at -33°C, under UNE-EN 0068-2-1:96
11. Test concerning the specifications UNE-EN 12352:2000. Setting that the IV solar Beacon fulfils all the light device features L2L.



IVSOLAR
Powered by **JUV**Grup

Manuel Fernández Márquez, 26
08918 BÀDALONA (Barcelona)
Tel.: +34 902 998 941
Fax: +34 933 205 666



www.ivsolar.com

Distributor: